

FC-280

600LBS CONCEALED ELECTRO-MAGNETIC LOCK



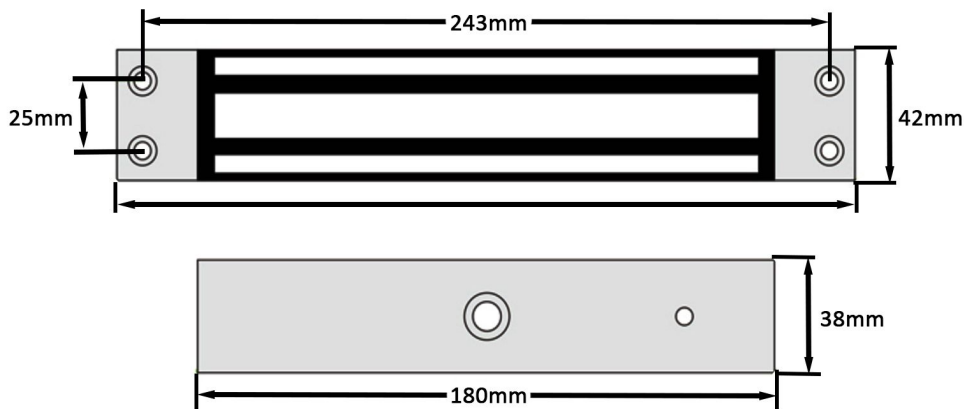
Product Features

- **Hidden installation** – Lock body and armature are recessed into the door and frame for a clean, tamper-resistant look.
- **Enhanced security** – Concealment reduces the risk of vandalism and forced removal.
- **Fail-safe design** – Unlocks automatically when power is lost, ideal for emergency exits.
- **Strong holding force** – Provides reliable magnetic holding when energized.
- **Flush mounting** – Sits level with the door/frame surface; no protruding hardware.

Technical Specifications

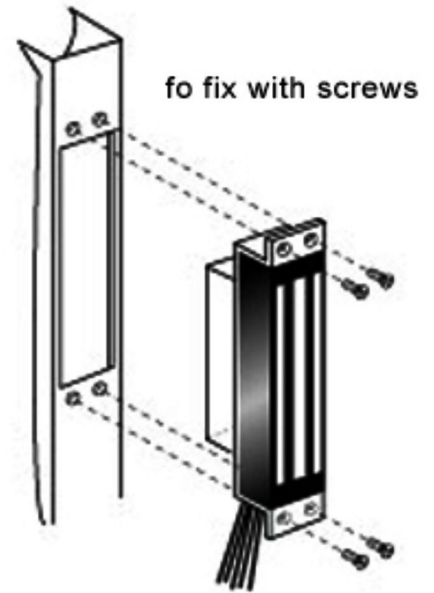
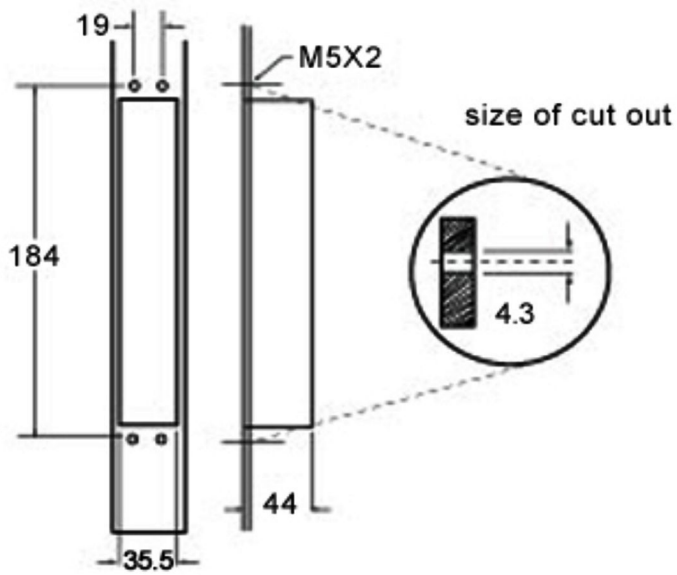
Model	FC-280
Holding Force	600lbs
Material	Finishes for shell: Anodized aluminum Finishes for magnet: Zinc Finishes for armature: Zinc
Feature	Fail-safe:Power to lock Concealed Lock
Voltage	DC 12V
Current	12V/250mA
Suitable	Sliding Wooden / Metal doors
Operating Temp	-10°C ~ 55°C (14°F~131°F)
Suitable Humidity	0~90%(non-condensing)
Life cycles	500,000
Lock size	258L x 42W x 23H (mm)
Armature Size	180L x 11W x 38H (mm)

Dimensions:

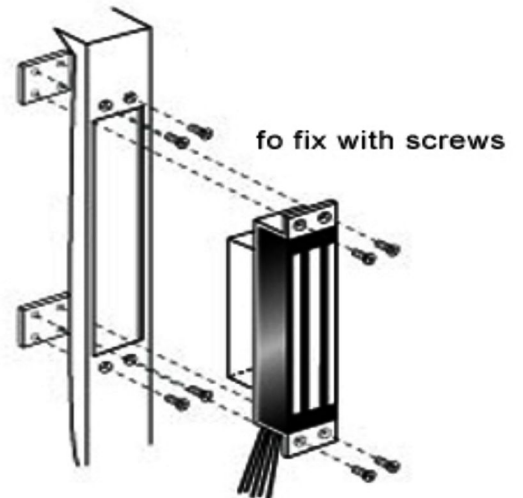
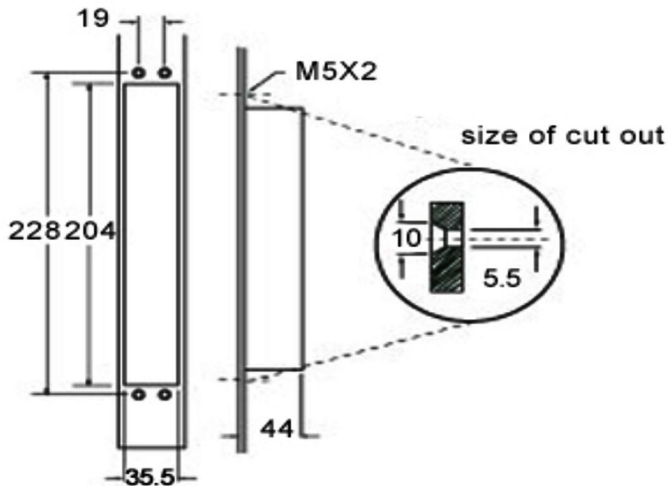


Installation Schematics

1. use for magnet/sliding door-w/o mounting plate(unit:mm)



2. use for magnet/sliding door(unit:mm)



3. use for magnet/sliding door(unit:mm)

