

# FM-UL280

## UL BRACKET FOR FULLY FRAMELESS GLASS DOOR

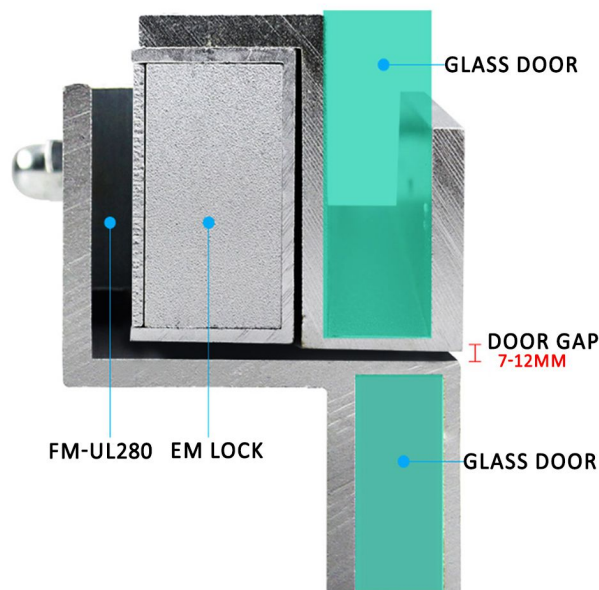


### Product Features

- FM-UL280 is built for fully frameless glass doors
- Supports 600 lbs (≈280 kg) magnetic locks
- No glass drilling required – safe clamp-on installation
- Complete ULZ bracket kit (U, L & Z style components) for proper alignment
- Strong Anodized aluminum/metal construction
- Compatible with most standard 600 lb maglocks
- Protective rubber pads to prevent glass damage
- Clean, professional appearance for modern glass doors
- Ideal for offices, retail, meeting rooms, and access controlled areas

### Technical Specification

Model	FM-UL280
Material	High Strength Aluminum, Sandblast Finish
Suitable / Opening Mode	Glass Door / 90 Degree Door
Glass Thickness	10-15mm
Finish for Shell	Anodized aluminum
Weight	0.8kg



**Dimension:**

