

FB-150ST

SURFACE MOUNTED ELECTRIC BOLT LOCK



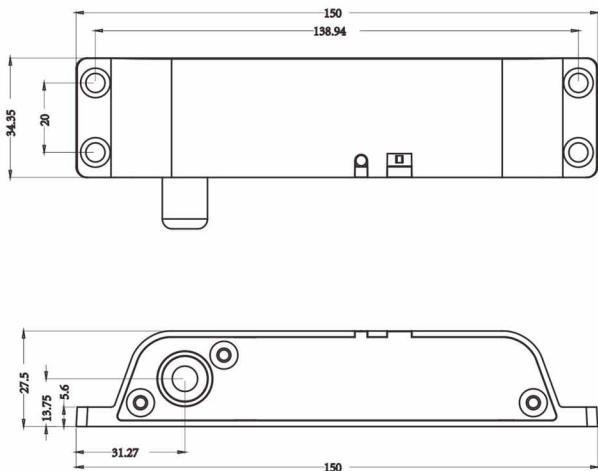
Product Features

- Bolt action lock.
- Low temperature design, which makes access safer and durable.
- High quality steel lock bolt, Wear resistance and won't stuck, instantaneous power to lock.
- Suitable for narrow door (Wooden/ Aluminum/ Glass/ Fireproof/ Metal door).
- Power off to open.

Technical Specifications

Model	FB-150ST
Face Plate Material	High aluminum, Carrulous line finished
Holding Force	1000Kg
Feature	Electric power lock/ unlock, Fail safe Adjustable time delay 0,3,6 sec
Voltage	DC 12/24V
Start Current	900mA
Standby Current	150mA
Solid Bolt	Polishing housing
Bolt	15mm
Induction Distance	6mm
Face Plate	150x34x27mm
Weight	0.52g

Dimension



Installation

