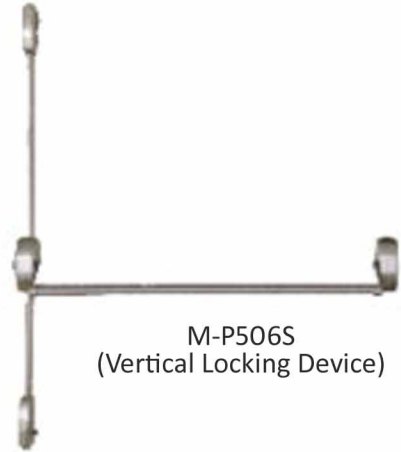


M-P501S/M-P506S

PUSH BAR PANIC DEVICE



M-P501S

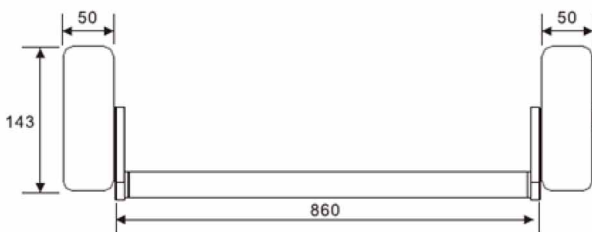


M-P506S
(Vertical Locking Device)

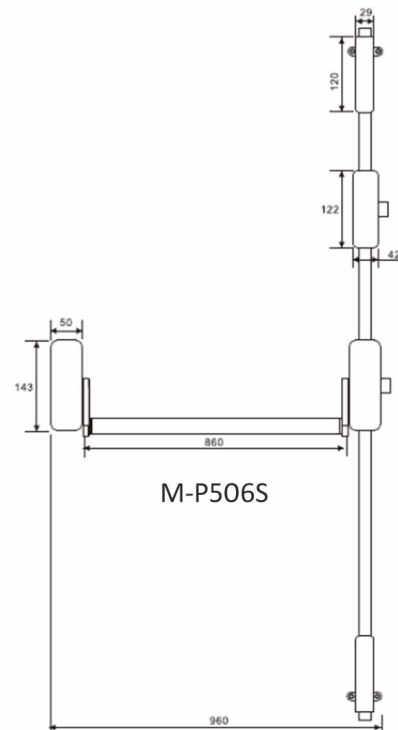
Technical Specifications

Model	M-P501S	M-P506S
Material	Stainless steel 304 with stain finish	
Lock point	1	2
Push bar length	850 mm	
Total length	960 mm	
Door type	Timber and Metal door	
Stile width	50 mm	
Door thickness	35 – 50 mm	
Follower size	8*8 mm	
Max door weight	200 kgs	
Door width	250(min) - 1190 mm	
Door Height	N/A	2133 mm

Dimension



M-P501S



M-P506S

M-P501S - The single leaf door combination of the CE panic device

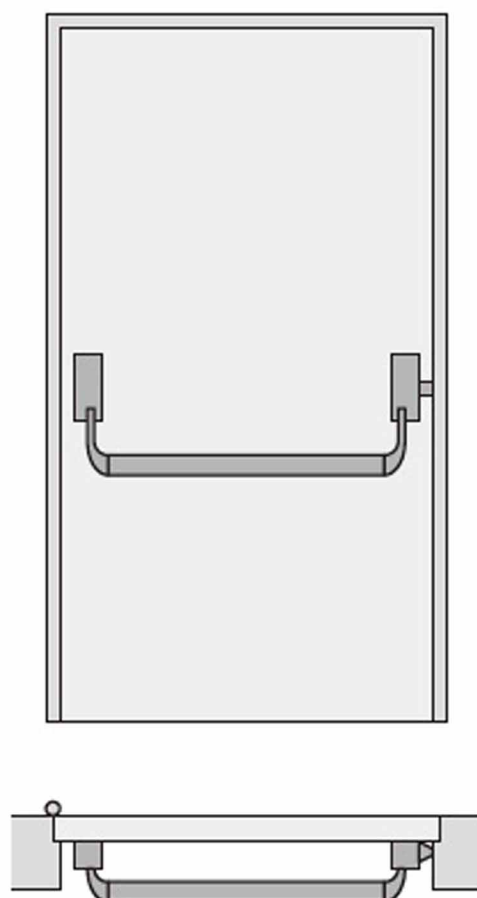
1. M-P501S + M-A004S



2. M-P501S + M-A008S



Installation



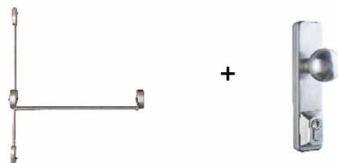
Function :	Classroom	Store Room	Fire rated steel / timber Door	Exit door, etc.
Apply to door weight:	Up to 200 kgs			
Apply to Door width	Standard 1,000 mm			
Handed:	Non – Handed			

M-P506S - The single leaf door combination of the CE panic device

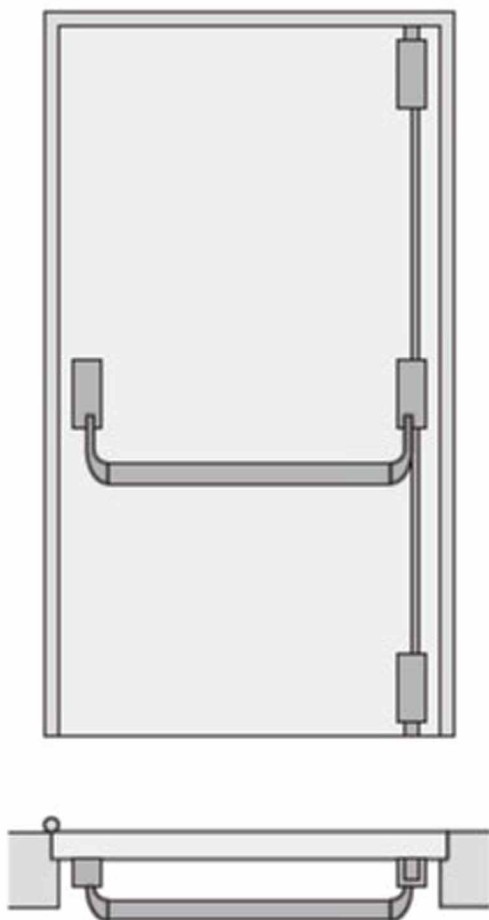
1. M-P506S + M-A004S



2. M-P506S + M-A008S



Installation



Function :	Classroom	Store Room	Fire rated steel / timber Door	Exit door, etc.
Apply to door weight:	Up to 200 kgs			
Apply to door height:	Standard 2,133 mm			
Apply to Door width	Standard 1,000 mm			
Handed:	Non – Handed			

The double leaf door combination of the CE panic device

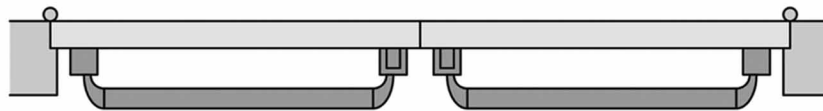
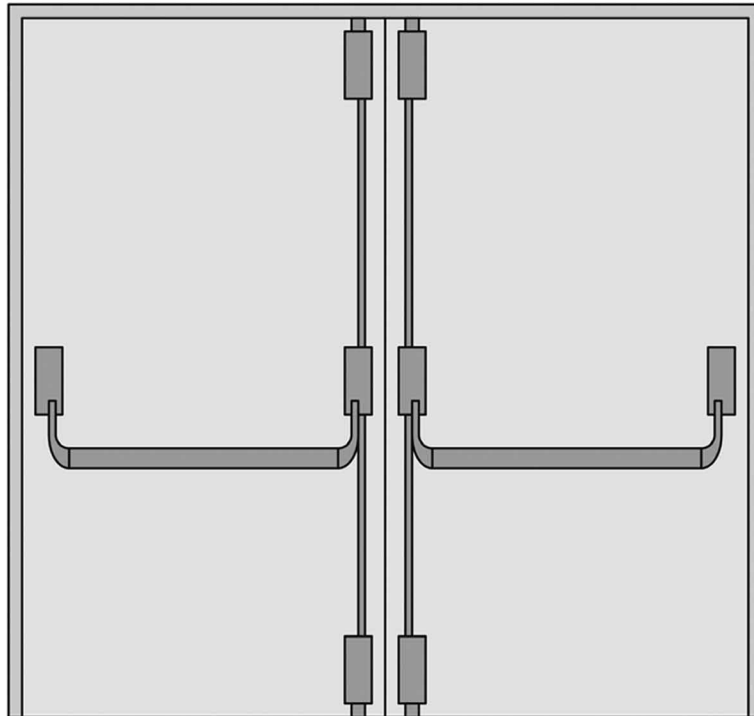
1. M-P506S + M-P506S + M-A004S



2. M-P506S + M-P506S + M-A008S



Installation



Function :	Classroom	Store Room	Fire rated steel / timber Door	Exit door, etc.
Apply to door weight:	Up to 200 kgs			
Apply to Max Door width	650 – 1,000 mm			
Apply to door height:	Standard 2,133 mm			
Handed:	Non – Handed			

The double leaf door combination of the CE panic device

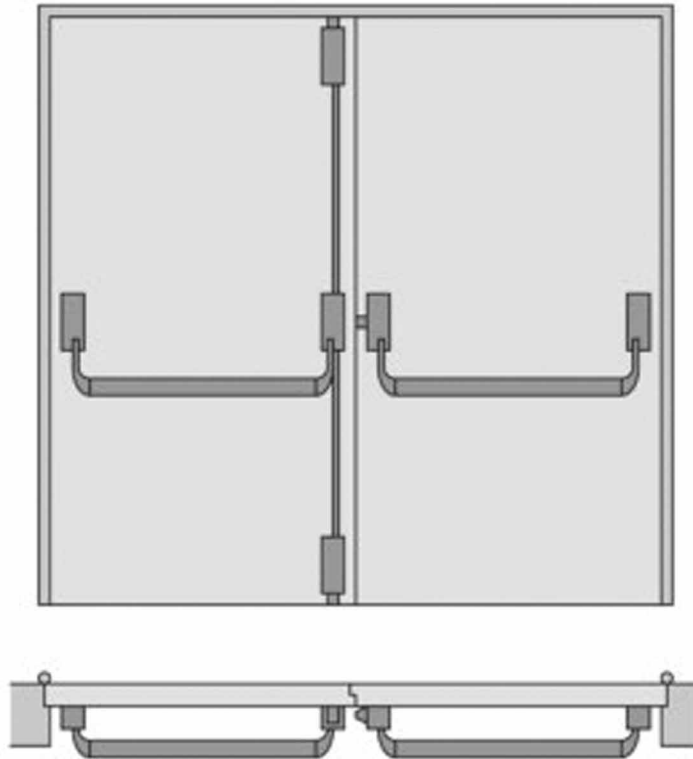
1. M-P506S + M-P501S + M-A004S



2. M-P506S + M-P501S + M-A008S



Installation



Function :	Classroom	Store Room	Fire rated steel / timber Door	Exit door, etc.
Apply to door weight:	Up to 200 kgs			
Apply to Max Door width	650 – 1,000 mm			
Apply to door height:	Standard 2,133 mm			
Handed:	Non – Handed			