

FM-280LZ

ELECTRO-MAGNETIC LOCK WITH BUILT-IN LED, LOCK SENSOR AND BUZZER



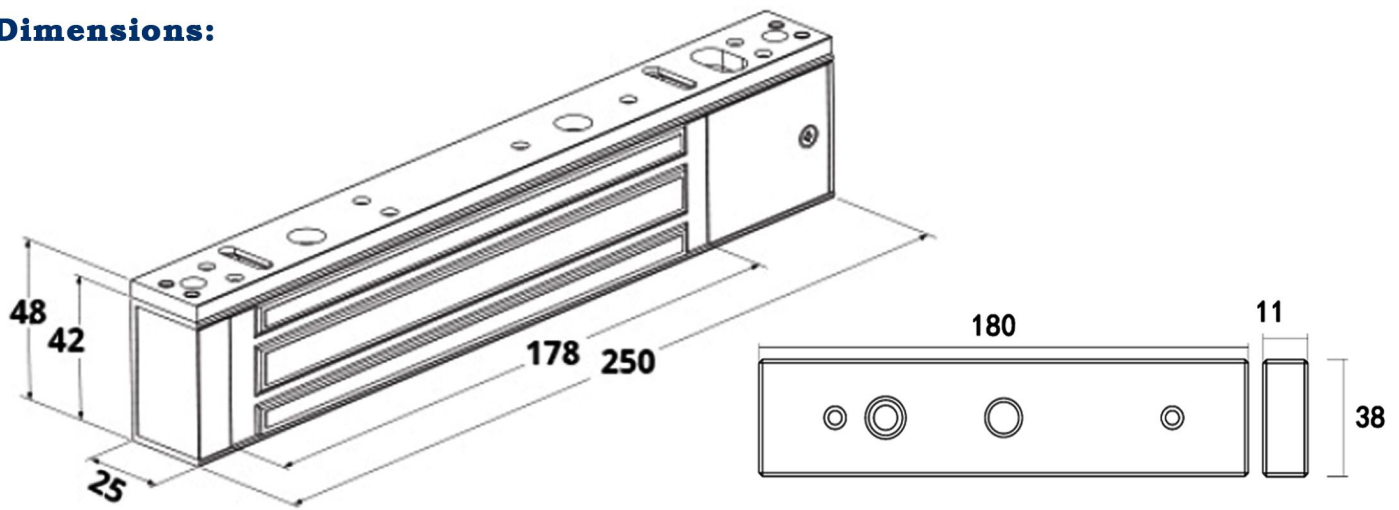
Product Features

- FM-280LZ is a premium, monitored electromagnetic lock with a holding force designed for secure and reliable access control. Operating on DC12V with a low current draw of 250mA. it features both door signal (built-in reed switch) and Buzzer (built-in Sound Buzzer) for real-time status monitoring.
- Anti-residual magnetic design, keep constant tension.
- Built-in reverse current protection device (MOV), performance stability, safety coefficient is higher.
- Electromagnetic suction work completely, there is no mechanical failure.
- Shell with high strength alloy material, anode hardening treatment.

Technical Specifications

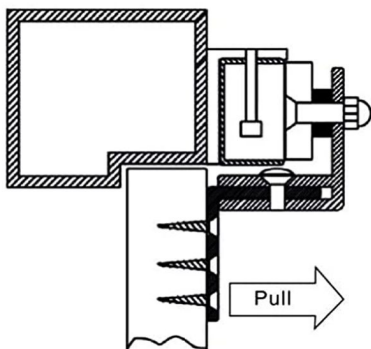
Model	FM-280LZ
Holding Force	600lbs
Material	Finishes for shell: Anodized aluminum Finishes for magnet: Zinc Finishes for armature: Zinc
Feature	Fail-safe: Power to lock (signal output, monitored) Red and Green, double color LED / When lock open, provide buzzer alarm
Voltage	DC 12V
Current	12V/250mA
Signal Output	Dry Contact, Max Rating of Contact Current 3A
Operating Temp	-10°C ~ 55°C (14°F~131°F)
Suitable Humidity	0~90%(non-condensing)
Life cycles	500,000
Lock size	250Lx48Wx25H (mm)
Armature Size	180Lx11Wx38H (mm)

Dimensions:

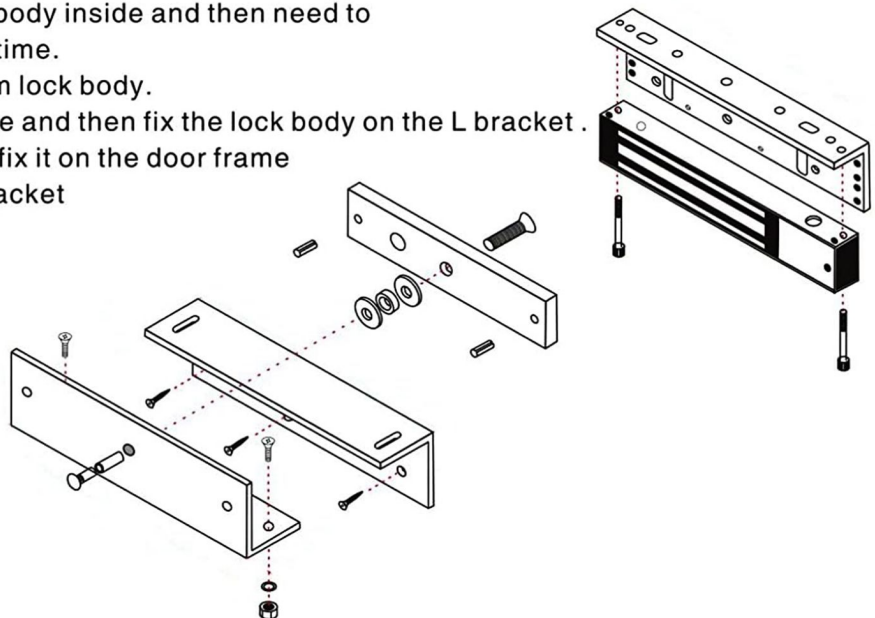


Optional ZL bracket installation

- For in-swing door, install the lock body inside and then need to install the ZL bracket at the same time.
- Discharge the mounting plate from lock body.
- Fix the L bracket on the door frame and then fix the lock body on the L bracket.
- Assemble the Z bracket and then fix it on the door frame
- Fix the armature plate on the Z bracket

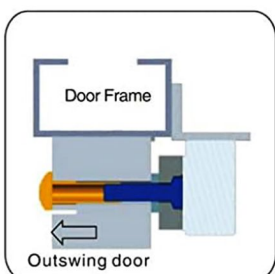


Swing in installation



L Bracket-For outward opening door

When the door frame thickness is less than 42mm, L bracket is needed.



ZL Bracket-For inward opening door

For inward opening door, ZL bracket is needed.

