

F-B500U

FAIL SAFE ELECTRIC BOLT LOCK



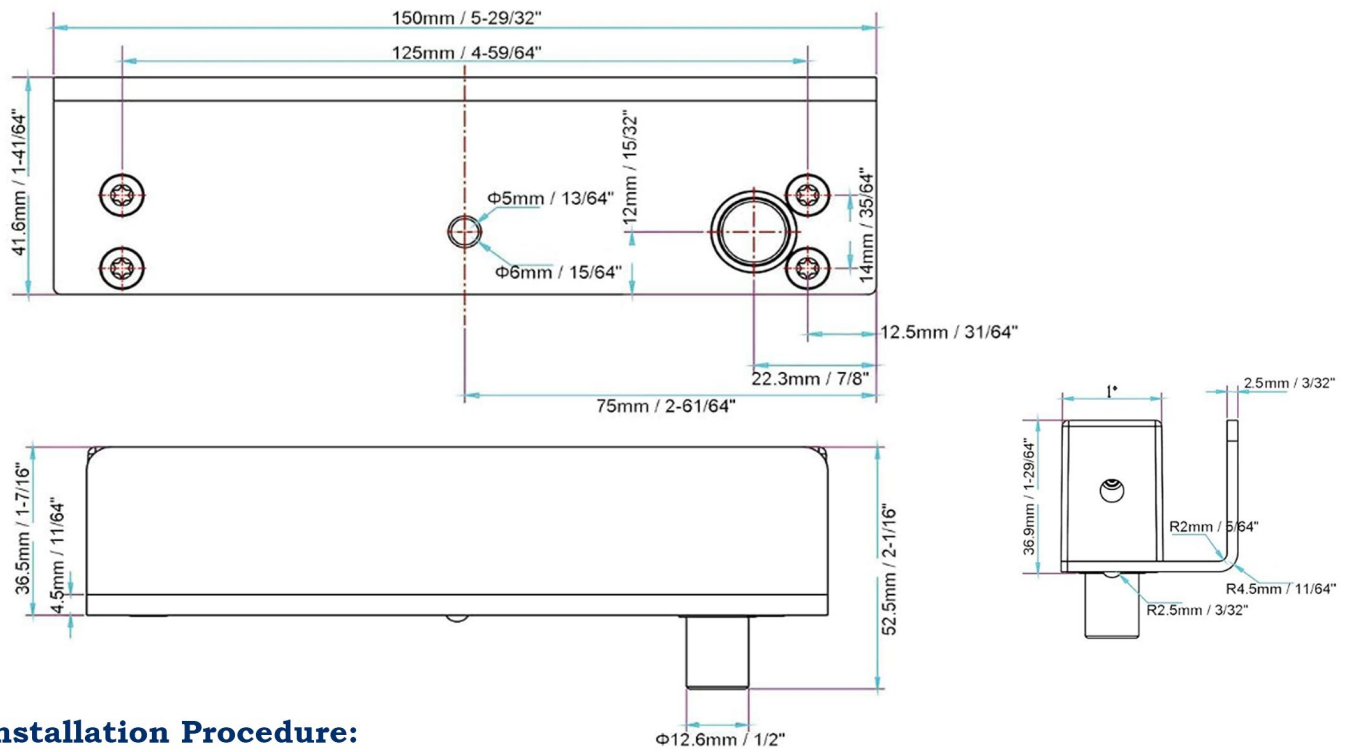
Product Features

- **Power:** it operates on a 12V DC power supply.
- **Fail Safe Design:** Features a fail safe mechanism remaining in the unlocked position during power outages to ensure safety and compliance with emergency exit requirements.
- **Adjustable delay:** 0 Second, 3 Seconds, 3 seconds and 9 seconds.
Signal Output: Door and Lock status signal output
- **Low Power Consumptionm:** it operates on DC 12V with a low power consumption design, making it energy-efficient and suitable for continuous use.
- **Design:** F-B500U is specifically engineered for frameless glass doors
- **Tamper Proof.** Lock cannot be defeated by slipping a metal object between lock and striker plate
- **Votage Protection:** Full protection for loading current and Surge protection using Metal Oxide Varistor

Technical Specification

Model	F-B500U
Material	Superior Strength Aluminium Alloy, Solid Stainless Steel Bolt.
Voltage	DC12V±10%
Start / Standby Current	960mA / 130mA
Bolt Type	Solid Bolt with polished housing, 1000kg Holding Force
Suitable Door Type	12mm frameless glass door
Signal Output	NO/NC/COM
Operating humidity	0~90%(non-condensing)
Operating Temperature	-10~+55°C
Mechanical Life	500,000 Tested
Induction Distance	8mm
Bolt	16mm (prolongation) ,13mm (diameter)
Dimensions	150L x 41.6W x 36.5H (mm)
Weight	0.9KG

Dimension:

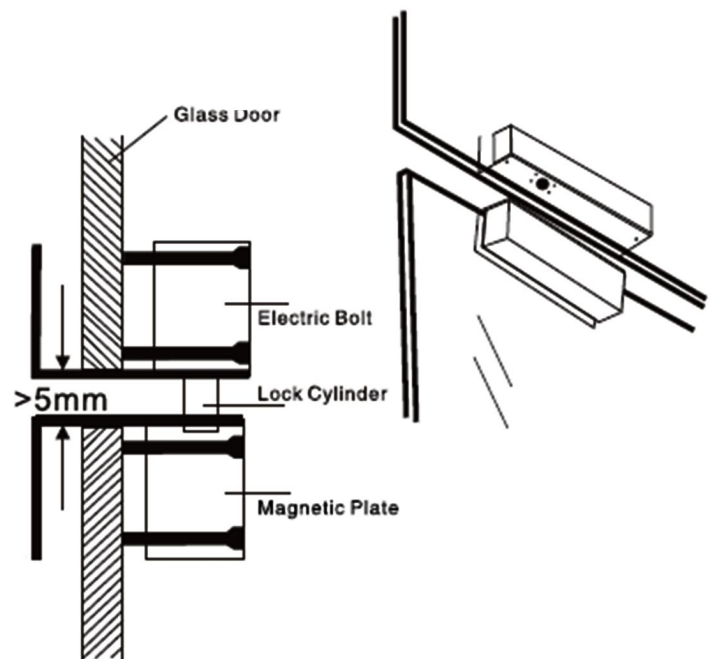


Installation Procedure:

1. Ensure the installation position and clean the Glass surface.
2. Fix the spacer inside the U-bracket, quantity of the spacer can be increased according to the thickness of the glass.
3. Paint the glass cement on the internal sideways of the under-part bracket.
4. Screw the bracket by the allen key.

Attention:

1. This lock is specially for 180° in swing and out swing frameless glass door.
2. the thickness of glass is 10 - 12mm
3. the gap between the down bracket and electric bolt is: 5 - 8mm



Wiring Diagram



AUTOLOCK TIME DELAY SETTING