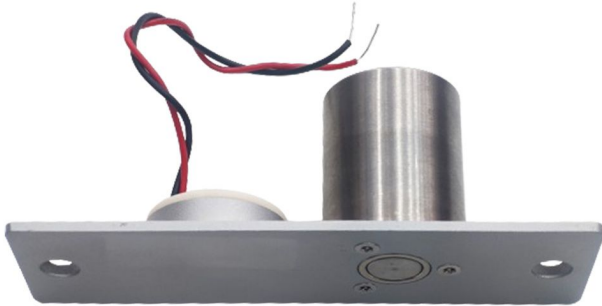


FB-125

MINI ELECTRIC BOLT LOCK



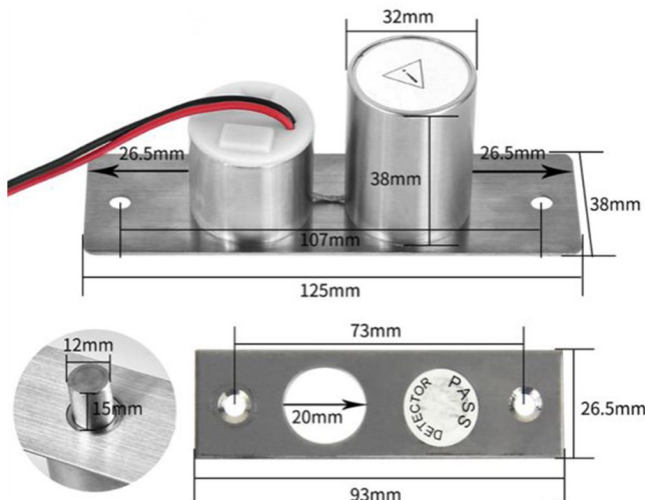
Product Features

- Mini electric bolt action lock.
- Low temperature design, which makes access safer and durable.
- **Holding force:** 800lbs.
- Optical control technique to prevent mechanical failure.
- Suitable for wooden door, aluminium door, glass door and metal doors.

Technical Specification

Model	FB-125
Face Plate Material	Aluminium
Holding Force	800lbs
Feature	Fail safe, Electric power to lock
Voltage	DC12V
Working Current	900mA
Standby Current	200mA
Induction Distance	8mm
Operating Temperature	-0°C~60°C
Operating Humidity	10%-90% RH
Bolt Dimension	15L x 12D(mm)
Face Plate Dimension	125L x 38W x 40H(mm)
Weight	270g

Product Dimension



Installation Details

