

FM-280LD

ELECTRO-MAGNETIC LOCK WITH BUILT-IN DOOR CONTACT



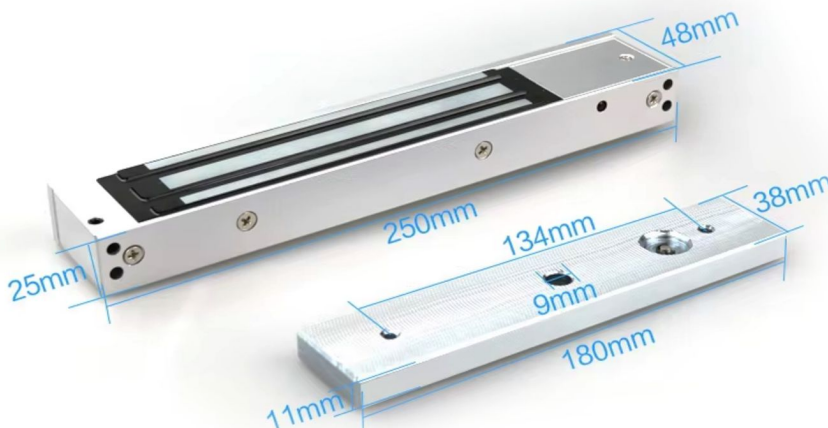
Product Features

FM-280LD is a premium, monitored electromagnetic lock with a holding force designed for secure and reliable access control. Operating on DC12V with a low current draw of 250mA. It features both door signal (built-in reed switch) and lock signal (built-in bond sensor) for real-time status monitoring. Equipped with instant release and fail-safe security (unlocks when power is off), it is ideal for high-traffic or critical entry points.

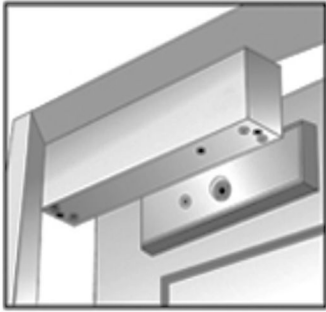
Technical Specifications

Model	FM-280LD
Holding Force	600lbs
Material	Finishes for shell: Anodized aluminum Finishes for magnet: Zinc Finishes for armature: Zinc
Feature	Fail-safe: Power to lock (signal output, monitored) Door Sensor built-in (SPDT)
Voltage	DC 12V
Current	12V/250mA
Signal Output	Dry Contact, Max Rating of Contact Current 3A
Operating Temp	-10°C ~ 55°C (14°F~131°F)
Suitable Humidity	0~90%(non-condensing)
Life cycles	300,000
Lock size	250Lx48Wx25H (mm)
Armature Size	180Lx11Wx38H (mm)

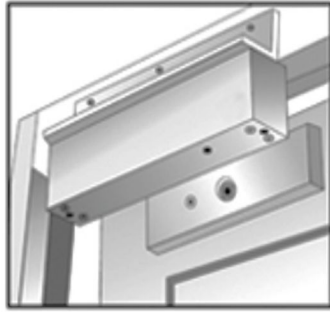
Dimension



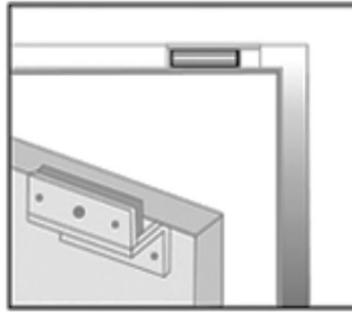
Bracket Mounting:



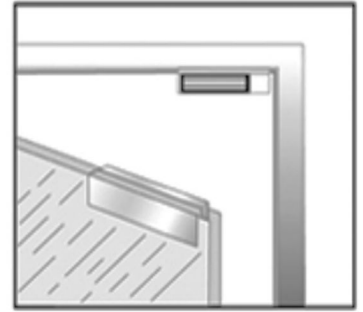
Standard Installation



LS Bracket Installation



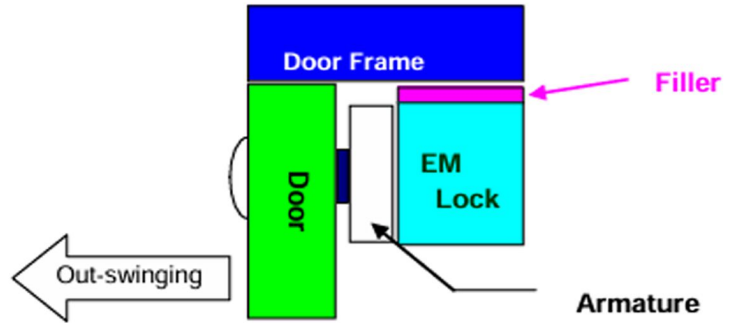
ZL Bracket Installation



U Bracket Installation

Standard Mounting:

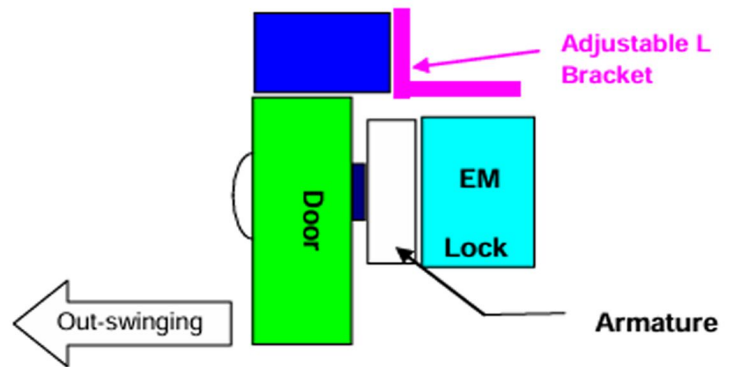
-With Filler Plate attached on top of EM Lock.



L Bracket Mounting :

- Mounting with "Adjustable L Bracket" when Door frame is narrow.

- Mounting Procedure :-
Remove the original "Filler Plate" attached to EM Lock, replaced with " Adjustable L Bracket " set.



ZL Bracket mounting :

- Mounting with " ZL Bracket " for In-swing door application.

- Mounting Procedure :-
Remove the original "Filler Plate" attached to EM Lock, replaced with " Adjustable ZL Bracket " set.

